



QRO

MONTHLY NEWSLETTER OF THE PALOS VERDES AMATEUR RADIO CLUB

JANUARY 2015

Avoiding interference: How far apart must co-channel users be?

Mike Scofield, N6OKG, will speak at the PVARC's January 21 meeting on "Frequency Re-Use Over Terrain." He will illustrate how much separation is needed between multiple users of a given radio frequency to avoid interference.

He will survey VHF and low frequency use of limited spectrum in TV, air traffic control, FM radio, AM broadcast and other services. His slide presentation makes intensive use of maps and computer graphics to illustrate antennae and propagation.

Mike is an adjunct assistant professor in Health Informatics at Loma Linda University. He holds an MBA degree from UCLA, has spent most of his career in information technology, and for the past 20 years has also been involved with emergency communications for the Orange County Hospital Disaster Communications Group (ARES). His primary speaking load is in topics of data management where he has given over 450 lectures and workshops to professional audiences in 27 states, Canada, Australia, and the U.K. ■

"Frequency Re-Use Over Terrain"

Speaker: Mike Scofield, N6OKG

**When: PVARC Monthly Meeting,
7:30 pm, Wednesday,
January 21, 2015.**

**Where: Hesse Park Activity Room,
29301 Hawthorne Blvd.,
Rancho Palos Verdes, CA
90275. Visitors Welcome.**

Also, consider our pre-meeting dinner: PVARC members and guests are welcome to join our speaker at a 5:30 pm no-host pre-meeting dinner at the Red Onion Restaurant, 736 Silver Spur Road, Rolling Hills Estates. We're always in one of the back rooms.

A New Year Starts Our 40th Anniversary

**By Diana Feinberg, AI6DF
PVARC President**

Our club wasn't one of the earliest ham radio clubs in Los Angeles County. When the PVARC was founded in 1975 we were a late-arrival on the local ham radio horizon.

But looking back, as we begin celebrating our 40th Anniversary, we've developed a vibrant membership and offer many activities for club members. But equally important is the satisfaction that comes from providing public service to our communities and their institutions.

One illustration of the latter came late last month. We were extremely gratified to have the South Bay Sunrise Rotary Club set aside a portion of proceeds from the 2014 RAT Beach Bike Tour for the PVARC to donate to a local charitable organization of our choice.

We have worked annually with the South Bay Sunrise Rotary Club, based in Torrance, since their first 62-mile RAT Beach Bike Tour in September 2010. The RAT Beach Bike Tour's popularity has grown significantly each year, with the increasing proceeds donated entirely to worthwhile social service organizations in the South Bay cities.

In appreciation of the PVARC's work, the South Bay Sunrise Rotary Club has entrusted us to designate a worthwhile charity for a portion of the 2014 Bike Tour's proceeds. Our Board of Directors will be considering some charitable organizations, but we welcome our members' input too.

Our club still encourages its members to become involved with the city, county, or hospital-sponsored disaster amateur radio groups in our area, as well as taking Community Emergency Response Team (CERT) training, and learning other disaster readiness skills.

The PVARC's disaster preparedness influence even goes far beyond our area. Hundreds of amateur operators elsewhere in Los Angeles

County have been trained at our Hesse Park classes taught by Walt Ordway, K1DFO. Some in Walt's classes have come from as far as Riverside and Castaic.

In addition to public service, we also strive to serve you--our members--through programs that enhance your enjoyment, understanding, or usage of amateur radio. Whether you wish to participate in any club activity is entirely up to you--ham radio is a wide-ranging hobby, with many facets and levels of interest. But we always strive for programs and activities worthy of your time as well as the interests of our communities.

We could not have reached this point after 40 years without support from our members—past and present. Thank you to all and all the best to you in 2015 and beyond. ■



The PVARC's tower trailer just after sunrise as the overnight mist ebbs during Field Day 2012 at Ridgecrest Intermediate School.
PHOTO: AI6DF

PVARC Short News Items

The PVARC's upcoming meeting topics...and beyond

PVARC member Ray Day, N6HE is the featured presenter at our February and March 2015 monthly meetings.

Ray's February 18 presentation topic will cover everything you'd like to know about "Baluns and RF Chokes." You will be better prepared to handle EMI/RFI problems with this knowledge. Additionally, attendees will have an opportunity to mention an EMI/RFI problem they experienced at their home and how they solved it.

Ray's presentation at our March 18 meeting covers the highlights (and humorous lights) of our Islands On The Air DXpedition to Catalina Island during February 25-March 1, 2015. We'll have more video of our operations to show than in recent years. The 2015 IOTA DXpedition also offers some new operating options due to higher baggage allowances enabling us to bring more gear (and more food!)

Meanwhile Diana, AI6DF, gave our "Amateur Radio's International Lighthouse and Lightship Weekend" presentation to a full house at the Tri-County Amateur Radio Association's monthly meeting in La Verne on January 14, 2015.

The PVARC's Lighthouse Weekend presentation will also be given at the Western Amateur Radio Association (N6ME) monthly meeting in Fullerton on February 2; the W6TRW Radio Club's monthly meeting on April 14 in Redondo Beach; the Associated Radio Amateurs of Long Beach (W6RO) meeting in Signal Hill on May 1; at the San Fernando Valley Amateur Radio Club (W6SD) in Northridge on May 15; and the Fullerton Radio Club (W6ULI) meeting on May 20 in that city. ■

Additional nominations for PVARC Officers and Directors taken at January club meeting; elections in February

As most know, the PVARC elects its officers and directors annually at our February meeting. In December our Board of Directors forms a Nominating Committee to find members interested and willing to serve on the following year's Board.

The Nominating Committee met last month and slated the following members who have committed to serve the PVARC from February 2015 to February 2016:

For President: Diana Feinberg, AI6DF
For Vice President: Mike Caulfield, AF6VT
For Treasurer: Peter Landon, KE6JPM
For Secretary: Laura Behenna, KK6BFI
For Directors: Clay Davis, AB9A, and
Ray Day, N6HE

Additional nominations, if any, will be accepted from the floor at our January 21 meeting. Any contested positions will then be decided by secret ballot at our February 18 meeting. Only paid members for 2015 are eligible to vote in such an election, in accordance with our club constitution. If no additional nominations are received at our January 21 meeting the candidates shown above can be approved by a voice affirmation vote at the February 18 monthly meeting. ■

Scenes from our Dec. 10, 2014, Holiday Dinner in San Pedro



ABOVE PHOTOS: DIANA FEINBERG, AI6DF

Walt Ordway, K1DFO, honored as W6AM Rhombic Award recipient

Walt Ordway, K1DFO, received the PVARC's W6AM Rhombic Award at our 2014 Holiday Dinner for his exemplary club service spanning nearly four decades.

Besides being a PVARC Past President, Walt has taught nearly all our quarterly ham radio license classes since 1984. Over 2,000 amateurs—including a significant number of current PVARC members—received their introduction to amateur radio through him.

Walt has also led many of our public service activities. He headed our radio coverage at the Palos Verdes Marathon for over 20 years, more recently managing our radio work at the "Conquer the Bridge" run/walk and Rolling Hills Estates "Hills Are Alive" 10K/5K.

Congratulations, Walt—and thank you. ■

Since its 2008 inception the Palos Verdes Amateur Radio Club's W6AM Rhombic Award has been presented to:


- 2014 – Walt Ordway, K1DFO
- 2013 – Bob Closson, W6HIP
- 2012 – Dale Hanks, N6NNW
- 2011 – Bill Harper, WA6ESC
- 2010 – Ginger Clark, KG6TAU; John Freeman, WW6WW;
and Karen Freeman, KG6BNN
- 2009 – Homer Meek, K6HKT
- 2008 – Dan Colburn, W6DC



Above: Walt Ordway, K1DFO, receives the 2014 W6AM Rhombic Award from PVARC President Diana Feinberg, AI6DF, at the 2014 Holiday Dinner in San Pedro's Ports O'Call Restaurant.
PHOTO: RAY DAY, N6HE

Upcoming DXpeditions (near and far) by PVARC members

Homepage IOTA Directory Activations More...



Activations calendar

The following activations have been notified to us, or to services coming weeks and months. For more details, click on the activation group.

Resort by date

Ref. No.	Callsign:	From	To
AS-200	JA4GXS/5	23 Jan 2015	25 Jan 2015
EU-008	MM0KLR	26 Apr 2015	2 May 2015
EU-026	JW/DL2JRM	18 Feb 2015	25 Feb 2015
EU-074	TM5U	10 May 2015	16 May 2015
EU-122	GI5O	24 Jul 2015	26 Jul 2015
EU-145	CR5CW	24 Jul 2015	27 Jul 2015
NA-004	K6VVA/KL7	25 Jul 2015	27 Jul 2015
NA-016	ZF2CI	26 Apr 2015	2 May 2015
NA-025	J88PI	13 Apr 2015	22 Apr 2015
NA-034	KG4ISZ	28 Feb 2015	28 Feb 2015
NA-066	K6PV/6	25 Feb 2015	1 Mar 2015
NA-112	N4F	25 Apr 2015	26 Apr 2015

PVARC's 2015 Islands On The Air Activation, nearby...

The PVARC's activation of Catalina Island (NA-066) for the Radio Society of Great Britain's "Islands On The Air" program runs from Wednesday afternoon, February 25 until 1000 hours Sunday, March 1. Our team leaves Long Beach the morning of February 25.

DXpedition leader Ray Day, N6HE, has notified the IOTA program website (partial screenshot shown at left) about our intentions for K6PV/6 on Catalina: 12 operators using 160-10 meters; SSB, CW, RTTY, some PSK31; and participation in the CQ WW SSB 160-meter Contest + North American QSO Party RTTY Contest.

Scheduled to participate are: Ray, N6HE (Team Leader); Bill, WA6ESC; Bob, W6HIP; Chris, KA6WNK; Clay, AB9A; Diana, AI6DF; Don, KE6PMN; Jeff, K6JW; Joe, NZ6L; Mike, AF6VT; Norm, K6UU; and Peter, KE6JPM.

The team will again stay in "Forest Service"-type cabins at Two Harbors. But due to water shortages on Catalina Island that limit laundry usage this year our team members must bring their own bedding, linens, and towels. ■

...and going to a distant site....PVARC member Joel Pastor, WJ1P/DU1JP, on the team activating Spratly Islands as DX0P

The DX0P team has released this information to DX Daily, DX World, and other DX websites:

Dates: MID APRIL FOR 6-7 days (dates to be announced)

Operators: Team lead WA6LOS Leo Almazan DU1BP; plus DV1JM, DU7RJA, DV3KWM, K6BF, K6BG, WE6DX, WJ1P/DU1JP, WW6CP, DU1BOQ

Rigs: Elecraft (3) K3-100, (1) KX3 ORP radio

Power amplifiers: Elecraft KPA-500

Antennas: N6BT 160m-80m, N6BT Bravo co-phased 2 element Bravo, N6BT EVA-220 two element asymmetric 2 element yagi. StepIR CrankIR for QRP. A3S Yagi 10m-20m

Bands: 160m-10m, may include WARC bands; **Modes:** SSB, CW, RTTY, JT-65

QSL via: Leo Almazan WA6LOS; **Website:** <https://www.facebook.com/DX0P2015>

Other details: First time to have team operators all of Filipino ancestry to work the Spratlys. ■



PVARC News:

Sign-up for HAMCON 2015 in Torrance



HAMCON 2015, the 2015 ARRL Southwestern Division Convention, comes to town September 11-13 at the Torrance Marriott Hotel adjacent to Del Amo Center.

Attending an ARRL Divisional Convention doesn't get more convenient than this for PVARC members. One need not be an ARRL member to attend--all hams are welcome. The early registration fee is just \$22, but you will learn and see a lot.

HAMCON will have four tracks of interesting concurrent talks on Emergency Communication; DXing and Contesting; General Amateur and Technical Topics; and Topics for Newer Hams.

HAMCON 2015 has already completely filled its 65-booth Vendor/Exhibitor Room in the Marriott's Grand Ballroom and several adjoining rooms. You'll be able to see and touch many brands of amateur equipment, including those not sold in ham radio stores (such as Elecraft and FlexRadio, to name two). See HAMCON 2015's website, www.hamconinc.org, for the full list of vendors.

Keynote speakers for the Saturday lunch, Saturday night banquet, and Sunday breakfast will be announced in the months ahead. Attendees at each meal will participate in a special prize drawing following the speaker's program.

You can register by completing the form shown elsewhere in this QRO issue or by visiting HAMCON 2015's website at www.hamconinc.org and download a registration or register online using HAMCON's secure PayPal link.

The PVARC is one of 14 Los Angeles County and Orange County ham radio clubs behind HAMCON 2015. We'll be operating the Information Desk during the convention and hope many of our members can devote just two hours to staff our function. ■

WELCOME NEW MEMBERS OF THE PALOS VERDES AMATEUR RADIO CLUB IN 2014-2015

CINDY SATTLER, KK6EOZ

DAVE HELD, WA6PHS

RAPHAEL YOON, KJ6ZYD

JOEL PASTOR, WJ1P

TERRI PASTOR, W6BMD

THOMAS BACALJA

ERIC OLSON, KK6JPV

JAMES MAXWELL, W6JBN

CARL BARNES, AI6BA

ALLEN BINDER, KK6MNU

HENRY BREMER, KK6MNO

SCOTT HARTNETT, KK6MNM

JAMES LIAO, KK6MNT

RICARDO QUINONES, KK6MNQ

SHAWN SORBOM, KK6MNN

KELVIN VANDERLIP, JR., KK6MNS

RON WAGNER, AC6RW

PAT BREWSTER, KK6KCL

LUIS CARRANZA, KK6PIN

JOSEPH ENFIELD, KK6PIO

CHRIS SIOURIS, KK6PRU

All ham operators are welcome to
become members of the
Palos Verdes Amateur Radio Club.

PVARC Short News Items

PVARC “Library” inventory in-progress; items at your QTH?

Our club periodically receives donated radio-related books, videos, instructional materials, and other printed matter. Earlier this year the PVARC received a significant donated batch of technical radio books dating from the 1930's.

We want these publications and other materials to be more-accessible for our members to borrow. But first, we need to catalog all items along with documenting where they are stored.

These books and other items are mostly stored at the homes of current Board of Directors members, but perhaps other members have some club materials at their locations too. In the absence of a permanent office or storage site we expect to continue storing club-owned books and related items at certain members' home and--upon request --bring desired materials to club meetings for members to borrow.

Please advise if you have any club-owned publications stored in your garage, ham shack, or spare room that we can add to the club's library list. ■

Update on PVARC CW training

Twelve PVARC members indicated interest in some form of CW training to either learn Morse code or regain proficiency with it.

If you haven't expressed your interest yet please contact Clay Davis, AB9A, at ab9a@arrl.net about an exploratory meeting being held Saturday morning, January 24, at the home of Jeff Wolf, K6JW. Jeff, Ray Day N6HE, and Clay Davis AB9A have been working to create the right approaches for each person's needs and will explain these at the meeting. Some might want to learn CW from scratch while some want to increase their current CW level.

Clay will provide further information about the January 24 meeting. ■

◆ PVARC's financial report is available upon request to any member.

Palos Verdes Amateur Radio Club

An American Radio Relay League Affiliated-Club

Board of Directors:

President	Diana Feinberg, AI6DF
Vice President	Malin Dollinger, KO6MD
Treasurer	Peter Landon, KE6JPM
Secretary	Mike Caulfield, AF6VT
Directors	Clay Davis, AB9A, Ray Day, N6HE

Appointed Offices:

QRO Editor	Diana Feinberg, AI6DF
Webmaster	John Freeman, WW6WW
Club Librarian	Bryant Winchell, W2RGG
K6PV Repeater Trustee	Mel Hughes, K6SY
LAACARC Delegate	Jeff Wolf, K6JW
VE Coordinator	Dave Scholler, KG6BPH
VE Liaison	Diana Feinberg, AI6DF
Net Control Operators	Malin Dollinger, KO6MD, Dale Hanks, N6NNW, Peter Landon, KE6JPM, Bob Sylvest, AB6SY, Dan Yang, K6DPY

Contacts:

QRO Editor: 310-544-2917, ai6df@arrl.net
Webmaster: 310-541-6971, jfree@cox.net

Email us: k6pv@arrl.net

Website: www.palosverdes.com/pvarc

Mailing Address:

Palos Verdes Amateur Radio Club
PO Box 2316
Palos Verdes Peninsula, CA 90274-8316

Monthly Meetings:

Third Wednesday (except August and December) at 7:30 pm at Fred Hesse Park, 29301 Hawthorne Blvd., Rancho Palos Verdes, CA. Visitors always welcome.

Repeaters (Open, though often listed as “Closed”):

Club: K6PV, 447.120 MHz (-), PL 100.0, CTCSS
“PV-West”: K6IUM, 449.980 MHz (-), PL 173.8, CTCSS

To order a Club badge:

Karen Freeman, KG6BNN, 310-541-6971

To order a Club jacket or patch:

Dave Scholler, KG6BPH, 310-373-8166

QRO is published monthly by the Palos Verdes Amateur Radio Club, ©2015 all rights reserved. For permission to reprint please contact PVARC at: k6pv@arrl.net

Front page photo—*The Pt. Vicente Lighthouse and grounds after sunset on a winter day.*
PHOTO: DIANA FEINBERG, AI6DF

“...No such thing as a free lunch” applies to much in life—but sometimes a radio is indeed close to “free”

By Jerry Kendrick, NG6R

The purchase via eBay of an AR-147 two-meter transceiver made by ADI Communications, despite the glowing ad by the seller, was a big disappointment. Two issues were evident from the first power-on. Although receive performance seemed normal, PTT transmit operation into a dummy load and power meter showed 10 amps of DC power consumed, yet no RF power out—not good! Also, the operation of the microphone PTT switch was erratic—sometimes it would work, often it wouldn't.

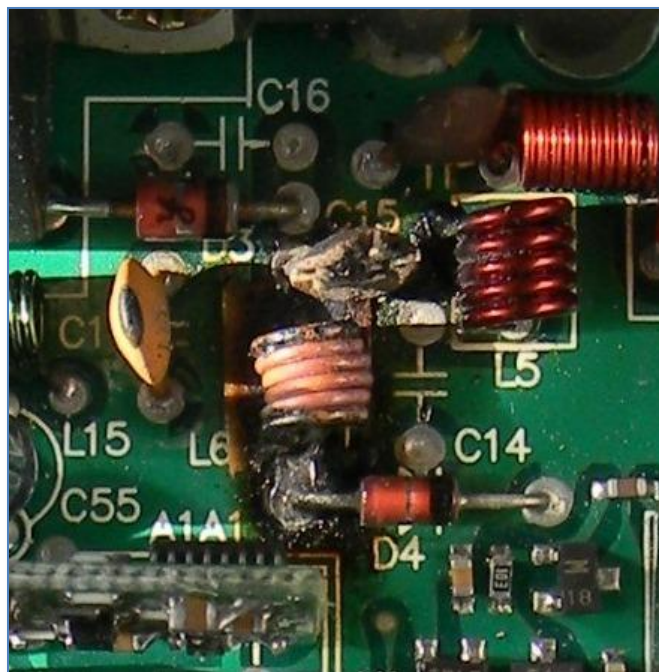
Upon reporting this initial bench checkout experience to the seller, asking that he refund my payment and also pay for return shipping, the seller said that he would, indeed, refund the payment. But, he didn't want the transceiver back—at least, not enough to pay for return shipping. So, I ended up with a free but non-functioning radio!

After letting it languish awhile in the “need-to-fix-this-someday!” queue, we first opened up the microphone and did some cable continuity tests. Within an hour of troubleshooting and isolating the location within the length of coiled microphone cable, the problem was found. The pin 8 ground conductor was broken inside its insulated cover near the microphone head and would only occasionally make contact. Carefully cutting through the outside cable sheath, we located the black ground wire, traced to the exact location where the break occurred, cut through to the conductor and soldered in a short piece of wire to close the gap. Some two-part epoxy and black tape rounded out the fix.

Upon opening up the transceiver and examining the boards, the second issue became immediately evident, as shown in the photo below.

The ceramic disc capacitor, C15, is completely burned and obviously must be replaced. The 6-turn inductor, L6, is clearly charred from heat, which might adversely affect its inductive reactance. It should be replaced as well. There is board charring near D4, but the diode doesn't appear to be discolored. So, its operation should be checked to decide if replacement is necessary.

A quick examination of the schematic (easily obtained free on-line) of this section of the main board clearly shows that these two components are part of the T/R switching circuit. In other words, when the PTT switch on the microphone is pushed, the T/R control signal isolates the receive circuit (off the figure toward the right) from the relatively large transmit signal coming in from below, as shown in the schematic (next page).

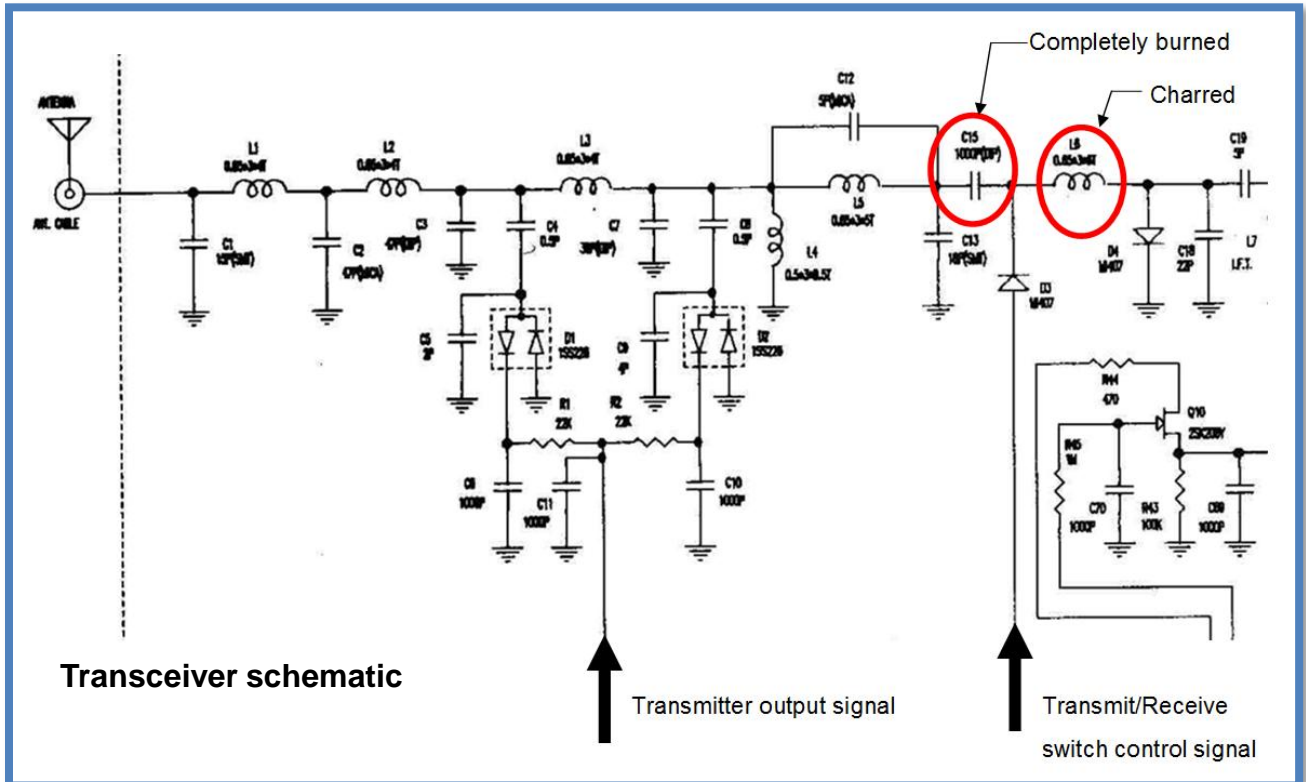


Above: Ceramic capacitor C15 is completely burned and inductor L6 badly charred from the heat in NG6R's “free” transceiver. PHOTO: JERRY KENDRICK, NG6R

Continued on next page ►

Fixing this “free” radio was almost “free”

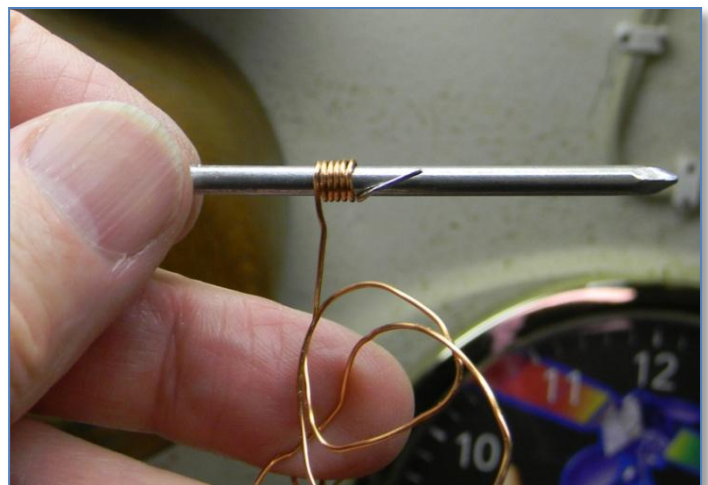
► *Continued from previous page*



A quick resistance check in both directions of the switching pin-diodes, D3 and D4, shows their operation is OK. There is no obvious failure mode that would take out C15. So, we replaced the two failed components with the plan to “smoke-test” the transmitter once the replacements were completed.

Component C15 is a 1000pF 500V disc ceramic capacitor. I had several 1000pF 1000V caps in the work bench drawer, so this substitute replacement was easily accomplished.

The inductor was originally made from six turns of 12.5 mil (0.0125”) diameter enameled wire. After scrounging through the work bench wire drawer, having recently cannibalized several computer power supplies, we found a piece of enameled wire of this same diameter. Prior to de-soldering the old damaged coil, we measured its outside diameter (OD): 0.15”. Knowing the diameter of the wire itself, we could calculate the ID of the coil, viz., 0.125” or an eighth of an inch. We found a common nail with this exact 1/8” diameter and used it to wind the replacement coil as shown in the photo at right.



Above: A common nail is used for winding a replacement coil using six turns of 12.5-mil enameled wire salvaged from computer power supplies.
PHOTO: JERRY KENDRICK, NG6R

Continued on next page ►

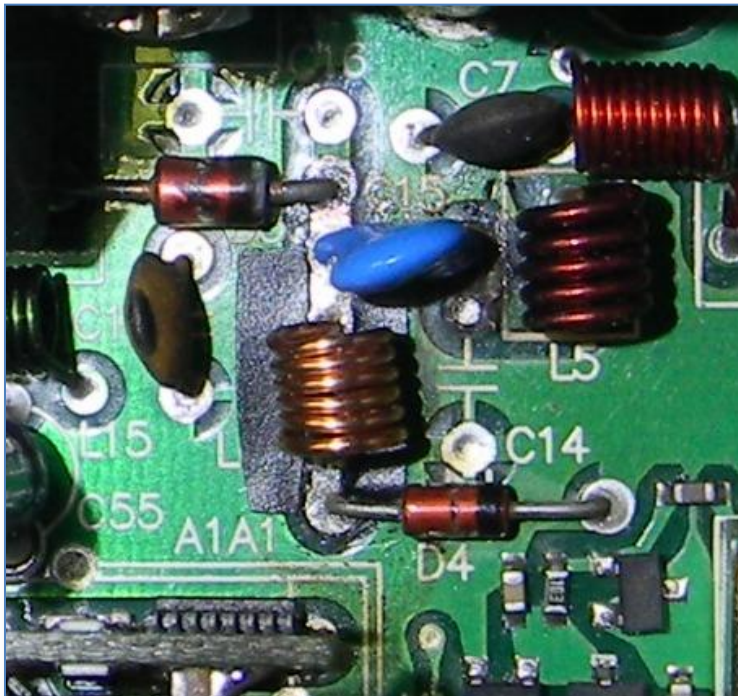
Fixing this “free” radio was almost “free”

► *Continued from previous page*

Shown in the photo at right is the final result after carefully cleaning the board using a metal dental pick with a jeweler’s eye loupe and soldering replacements for the two failed components.

The repaired transceiver was then tested on the bench and performed normally.

Sometimes a failed component can mean some other failure has occurred in another part of the circuit to precipitate the component failure. But in this instance we lucked out--we only had to replace the two failed components to achieve success. This turned what might have been put into the junk drawer or E-waste into a well-functioning transceiver.

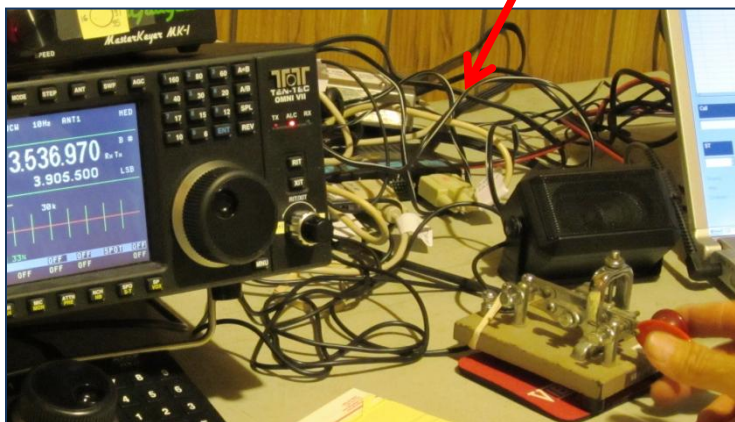


Above: The completed replacement coil and ceramic capacitor are shown on the transceiver board after soldering.
PHOTO: JERRY KENDRICK, NG6R

73, NG6R ■



Amazing: This box and one USB cable replaced nearly all these cables



Top : MicroHAM MicroKEYER II. PHOTO: MicroHAM website, <http://microham-usa.com/store/product-info.php?pid1.html>

Bottom: Ray’s “rat’s nest” of cables during our 2012 Catalina IOTA DXpedition. PHOTO: DIANA FEINBERG, AI6DF

Santa brought N6HE a MicroHAM MicroKEYER II integrated voice/CW/RTTY/PSK31 computer-radio interface unit. This one relatively small box has replaced a CW memory keyer, a voice memory keyer, a W3YY CW/FSK serial interface, a computer-radio serial cable, a dedicated CW serial interface, a homebrew multi-connector PTT junction box, two audio isolation transformers (for PSK31) – and a rats-nest pile of now-unused cables. All software-driven from one box with only one (USB) connection to the computer and a single cable harness to the rear of his radio (Ten-Tec Omni VII).

The device has a digital display that shows keyer WPM and other key parameters. Unlimited SSB/CW/RTTY/PSK31 memories. Slick! He’s a very happy camper – and wondering how it took him so long to discover this ubiquitous gizmo! See <http://microham-usa.com/store/product-info.php?pid1.html> on the web. If you’re interested in seeing this thing in action, email him at rayday@cox.net – and set a time to see it in action. ---Ray Day, N6HE ■

PVARC News

PVARC 2015 dues coming due, same low cost as 2014

Just a reminder...PVARC annual membership dues for 2015 are coming due. If you haven't already renewed, please take a moment to send your 2015 dues and annual membership renewal form (shown on the next page of this **QRO** issue.) Thank you to those who have already renewed.

The PVARC continues having among the lowest dues of amateur radio clubs in Los Angeles County. Annual dues for 2015 remain at just \$15 for a single person membership and \$17 for a family membership. The table below shows dues for some other ham clubs that are not affiliated with an employer.

In addition to having one of the lowest membership costs, we offer great value to our members through many activities. We have a deep base of radio knowledge that members can tap; monthly speakers at club meetings; interesting HF operating events from our annual Islands On The Air DXpedition to Catalina Island and International Lighthouse Weekend; our annual family picnic at the Pt. Vicente Lighthouse; a great Field Day experience; a monthly newsletter; frequent ham radio gift certificates as prizes; free ham license classes; and opportunities to operate at meaningful public service activities. Above all, we strive for a friendly atmosphere where all members are treated respectfully regardless of license class or experience.

You may send your renewal form and payment to our mailing address (P.O. Box 2316, Palos Verdes Peninsula, CA 90274-8316) or bring them to our January meeting. We appreciate your continued support and always seek to better serve our members and South Bay communities. Let us know how we can improve your amateur radio experiences. ■

L.A.-Area Amateur Radio Clubs (Non-employer affiliated)	Annual Dues— Single Membership	Annual Dues— Family Membership
Palos Verdes Amateur Radio Club	\$15	\$17
San Fernando Valley Amateur Radio Club	\$18	+ \$6 for each
South Bay Amateur Radio Club	\$20	\$30
United Radio Amateur Club	\$20	\$25
Downey Amateur Radio Club	\$20	\$35
Westside Amateur Radio Club	\$20	+ \$7.50 for each
Southern California DX Club	\$24	+ \$6 for each
Associated Radio Amateurs of Long Beach	\$25	+ \$5 for each
Pasadena Radio Club	\$25	None
Independent Radio Club	\$35	\$35
Crescenta Valley Radio Club	\$35	None

Data: Club websites, as of December 7, 2014.



Palos Verdes Amateur Radio Club
 P.O. Box 2316
 Palos Verdes Peninsula, CA 90274
www.palosverdes.com/pvarc

**NEW MEMBER &
 MEMBERSHIP RENEWAL FORM**

NEW: _____ **RENEWAL:** _____ **MEMBERSHIP DATE:** _____

Last Name: _____ **First Name:** _____ **Spouse:** _____

Street Address: _____

City: _____ **Zip:** _____

Phone: Home _____ [] **Work** _____ [] **Cell** _____ []
 (please indicate [x] which number(s) [limited to two] you would like included in the PVARC roster)

Email address: _____

(Unless otherwise noted emails will be sent to the applying member only)

License Call: _____ **License Class:** _____ **ARRL Member** _____ **Birth Mo./Day:** _____

Other Amateur Radio Groups You Belong To _____

Additional Household and/or Family Members (if Applicable):

Name _____ **Call** _____ **Class** _____ **ARRL** _____ **Birth Mo./Day:** _____

Name _____ **Call** _____ **Class** _____ **ARRL** _____ **Birth Mo./Day:** _____

Name _____ **Call** _____ **Class** _____ **ARRL** _____ **Birth Mo./Day:** _____

Individual membership (\$15.00) \$ _____

Household and/or Family membership (\$17.00) \$ _____

Donation to the John Alexander Fund \$ _____

Donation to the Repeater Fund \$ _____

Other Donation to PVARC \$ _____

Cash: _____ **or Check #:** _____ **Date** _____ **TOTAL \$** _____

**Please make checks payable to: Palos Verdes Amateur Radio Club; Dues based on January 1st to December 31st year.
 All New and Renewal Member applications must be signed below.**

In applying for or renewing my membership in the Palos Verdes Amateur Radio Club, I agree to abide by the Club's constitution and by-laws (available on-line at: <http://www.palosverdes.com/pvarc/constitution.htm> or upon request.

Signature: _____ **Date:** _____

Family Member Signature: _____ **Date:** _____

DXing on Navassa Island rarely happens so listen for this DXpedition later in January

Navassa: A once in 32 year opportunity!

(from the DXpedition's news release, Jan. 17, 2015)

“Within two weeks the K1N Navassa DXpedition should be QRV with up to 7-8 stations. Our exact departure date will be decided at the last moment by USFWS (U.S. Fish and Wildlife Service) and weather windows. The team will be arriving at our staging point a few days before the earliest possible window and be ready for a rapid deployment. As soon as USFWS has landed on the island and declared it is safe to proceed, we will start the helicopter flights and commence operations. We hope to have a basic camp established by the end of the first day and if things go extremely well, we hope to have several stations on the air by nightfall on the second day. Helicopter deployment will continue for a total of three days before the camp is fully established. A boat landing is not possible this time of year and helicopter sling loads off our standby vessel are impossible. . So, additional equipment and supplies will be moved ashore with manpower. This will not be an easy project!

The K1N operation is your only opportunity in 32 years to work this #1 Most Wanted Entity. It has been 22 years since the last operation and USFWS will not permit another operation for at least ten years. For these reasons, and in the spirit of worldwide cooperation and good will, we ask that if you already have QSOs with Navassa on certain bands from a previous operation, DO NOT CALL US ON THAT BAND! ClubLog Leader Board will be turned off for obvious reasons.

The latest details and pictures can be found at www.navassadx.com. This web page is now available in 44 languages. We are leaving no one out of this DXpedition because of its rarity. Our stations will be at most of the usual DX frequencies, listening up, but in some cases, down, for certain parts of the world's band plan. It is absolutely necessary to listen to the instructions of the DXpedition operator. We have a Facebook page to watch and a Twitter feed (@navassa2015) to follow for instant updates. We will be listening in the U.S. General/Advanced bands.

Band modes will be somewhat limited in an all-out effort to work the bands down to the last little pistol for this unique opportunity. At least one station will be on 20-meters 24 hours/day. 160M and 12M will be CW only and 10M will be SSB only. Other bands will be in some pattern, alternating CW & SSB. At least one station will always be on RTTY, and we will operate RTTY on no more than three bands.” ■



Above: "Navassa Lighthouse". Licensed under Public Domain via Wikimedia Commons - <https://commons.wikimedia.org/wiki/File:NavassaLighthouse.jpg#mediaviewer/File:NavassaLighthouse.jpg>

Where in the World is Navassa Island?

Administered by the U.S. Fish & Wildlife Service, Navassa is one-fourth the distance from Haiti to Jamaica in the Caribbean's Jamaica Channel, 100 miles south of the Guantanamo Bay Naval Base. The U.S. built a 162-foot tall lighthouse on Navassa in 1917 to guide shipping after the Panama Canal opened in 1914. Today the island is uninhabited. Meanwhile, since 1801 Haiti has claimed it owns Navassa Island.—A16DF■

Palos Verdes Amateur Radio Club 2015 Calendar

January

S	M	T	W	T	F	S
				1	2	3
4	5	6	7	8	9	10
11	12	13	14	15	16	17
18	19	20	21	22	23	24
25	26	27	28	29	30	31

February

S	M	T	W	T	F	S
1	2	3	4	5	6	7
8	9	10	11	12	13	14
15	16	17	18	19	20	21
22	23	24	25	26	27	28

March

S	M	T	W	T	F	S
1	2	3	4	5	6	7
8	9	10	11	12	13	14
15	16	17	18	19	20	21
22	23	24	25	26	27	28
29	30	31				

April

S	M	T	W	T	F	S
			1	2	3	4
5	6	7	8	9	10	11
12	13	14	15	16	17	18
19	20	21	22	23	24	25
26	27	28	29	30		

May

S	M	T	W	T	F	S
31					1	2
3	4	5	6	7	8	9
10	11	12	13	14	15	16
17	18	19	20	21	22	23
24	25	26	27	28	29	30

June

S	M	T	W	T	F	S
1	2	3	4	5	6	
7	8	9	10	11	12	13
14	15	16	17	18	19	20
21	22	23	24	25	26	27
28	29	30				

July

S	M	T	W	T	F	S
			1	2	3	4
5	6	7	8	9	10	11
12	13	14	15	16	17	18
19	20	21	22	23	24	25
26	27	28	29	30	31	

August

S	M	T	W	T	F	S
30	31					1
2	3	4	5	6	7	8
9	10	11	12	13	14	15
16	17	18	19	20	21	22
23	24	25	26	27	28	29

September

S	M	T	W	T	F	S
			1	2	3	4
5	6	7	8	9	10	11
12	13	14	15	16	17	18
19	20	21	22	23	24	25
26	27	28	29	30		

October

S	M	T	W	T	F	S
				1	2	3
4	5	6	7	8	9	10
11	12	13	14	15	16	17
18	19	20	21	22	23	24
25	26	27	28	29	30	31

November

S	M	T	W	T	F	S
1	2	3	4	5	6	7
8	9	10	11	12	13	14
15	16	17	18	19	20	21
22	23	24	25	26	27	28
29	30					

December

S	M	T	W	T	F	S
			1	2	3	4
5	6	7	8	9	10	11
12	13	14	15	16	17	18
19	20	21	22	23	24	25
26	27	28	29	30	31	

2015 Major Contest Dates

ARRL	CQ Magazine and Other
Jan. 23-25:	CQ Worldwide 160-Meter (CW)
Jan. 24-25:	ARRL January VHF Sweepstake
Feb. 13-15:	CQ Worldwide RTTY WPX
Feb. 20-22:	ARRL DX (CW)
Feb. 28:	North American RTTY QSO Party
Feb. 28-29:	CQ Worldwide 160-Meter (SSB)
Mar. 6-8:	ARRL DX (SSB)
Mar. 27-29:	CQ Worldwide SSB WPX
May 29-31:	CQ Worldwide CW WPX
Jun. 13-14:	ARRL June VHF Contest
Jun. 27-28:	ARRL Field Day
July 11-12:	IARU World Championships
Jul. 18-19:	CQ Worldwide VHF
Jul. 18:	North American RTTY QSO Party
Aug. 1-2:	ARRL UHF Contest
Sept. 12-13:	ARRL September VHF Contest
Sept. 25-27:	CQ Worldwide RTTY DX
Oct. 3-4:	California QSO Party
Oct. 23-25:	CQ Worldwide SSB DX
Nov. 7-8:	ARRL Sweepstakes (CW)
Nov. 21-22:	ARRL Sweepstakes (SSB)
Nov. 27-29:	CQ Worldwide CW DX
Dec. 11-13:	ARRL 10-Meter Contest
Dec. 27-28:	Worldwide Iron Ham Contest

 Club Meeting

 PVARC Public Service

 PVARC Ham License Class

PVARC Nets

Tuesdays at 7:30 pm on K6PV,
447.120 MHz (-), PL 100.0, and
144.910 MHz, Tone Squelch, PL 156.7

PVARC Meetings & Meals

Meetings 7:30 pm **3rd Wednesdays**
except August and December at Fred
Hesse Park, 29301 Hawthorne Blvd.,
Rancho Palos Verdes. Guests
welcome. A no-host dinner at 5:30 pm
before club meetings is held at the Red
Onion Restaurant, 736 Silver Spur
Road, Rolling Hills Estates.

3rd Sunday in August: Annual family
picnic at Pt. Vicente Lighthouse.

December 10: Holiday dinner. Ports
O'Call Restaurant, San Pedro.

Major Ham Radio Conventions

Apr. 17-19: International DX
Convention, Visalia, CA
May 15-17: Dayton HamVention
Sept. 11-13: HAMCON 2015/ARRL
Southwestern Div.
Convention, Torrance
Marriott Hotel

PVARC Public Service Events

Aug. 8: Rolling Hills Estates
"Hills Are Alive" 5K/10K
Sept. 7: L.A. Harbor "Conquer the
Bridge" Race
Sept. 26: RAT Beach Bike Tour
Nov. 14: Palos Verdes Half-
Marathon and 10K

PVARC HF Operating Events

Feb. 25-
Mar 1: Islands On The Air
DXpedition, Catalina
Island;
June 27-28: ARRL Field Day;
Aug. 14-16: Intl. Lighthouse
Weekend, Pt. Vicente
Lighthouse

PVARC Ham License Classes

Fred Hesse Park (Fireside Room),
29301 Hawthorne Blvd., Rancho P.V.

Feb. 21 & 28; May 2 & 9;
Additional dates to be announced

Tell your friends and relatives about the PVARC's February 2015 Technician and General license classes



Whether for emergency communication, communicating around the world, or learning a bit about electronics, there's nothing else like amateur radio (also known as "ham radio"). Amateur radio operators have long provided the communication "when all else fails" during disasters. Please tell your friends and relatives that with a short course, they can join the over 710,000 men, women, and children in the United States from all walks of life who are licensed to operate ham radios.

Two Free Amateur Radio Courses

FCC **"Technician"** course (entry level)

FCC **"General"** course (2nd level)

Each course is 2 sessions

The next sessions are on 21 February and 28 February, 2015

Technician 9:30 AM to 1:45 PM both Saturdays

General 2:00 PM to 5:00 PM both Saturdays

FCC tests will be 10:00 AM to Noon on Saturday, 7 March, 2015.

The Palos Verdes Amateur Radio Club will make a brief presentation at 9:30 AM at the start of the 21 February Technician class on how to get further involved with amateur radio.

The location is Fred Hesse Park, 29301 Hawthorne Blvd., Rancho Palos Verdes.

Confirm your attendance to Walt, K1DFO at waltordway@juno.com

No fee for either course; taking the FCC Test is \$15. Optional Material (sold at cost):

- Gordon West book with all the FCC test questions,

\$22 for the Technician, \$26 for the General;

- Copy of PowerPoint charts: \$20 for the Technician, \$20 for the General.

For courses sponsored by the Palos Verdes Amateur Radio Club, students thru grade 12 who also pass their examination at a PVARC test session will, upon application to the Club, be eligible for reimbursement up to a maximum of \$50 to cover the cost of materials and the examination fee.

Everyone who obtains their first ham radio license through a PVARC test session, regardless of age, will receive a free membership in the Palos Verdes Amateur Radio Club for the remainder of the current calendar year.

For more information contact Walt, K1DFO, at waltordway@juno.com



HAMCON 2015 2015 ARRL Southwestern Division Convention

September 11-13, 2015
Torrance Marriott South Bay Hotel
3635 Fashion Way, Torrance, CA 90503

Convention Registration Form

Visit us at: www.hamconinc.org/

All attendees over 16 years old must have a separate paid registration; no charge for registered children under 16 when accompanied by paid Adult registrant. Children under 16 will receive different color ID.

Call Sign: _____

Last name: _____

First name: _____

Street or mailing address: _____

City: _____

State & ZIP Code: _____

E-mail address: _____

Phone: _____

Additional Attendee #1

Call Sign: _____

Adult: Child:

Last name: _____

First name: _____

Additional Attendee #2

Call Sign: _____

Adult: Child:

Last name: _____

First name: _____

Additional Attendee #3

Call Sign: _____

Adult: Child:

Last name: _____

First name: _____

Every adult Early Registrant receives a free Convention Pin or Patch (a \$5 value): # of Pins ____; Patches ____

	Per Person	x	Number	= \$ Total
Early Registration, postmarked by July 31, 2015:	\$22			
Regular Registration, Aug. 1-Sept. 13, 2015:	\$27			
Saturday Lunch** : __Chicken __Vegetarian	\$32			
Saturday Dinner** : __Chicken __Vegetarian	\$50			
Saturday Dinner** : __Beef (reflects hotel's cost)	\$58			
Sunday Breakfast** (plated meal: meat, eggs, +)	\$25			

** Each meal has a special prize drawing exclusively for attendees

Additional Convention Pins ____ or Patches ____ \$5 ea.

For discounted HAMCON room rates at the Torrance Marriott Hotel, visit www.hamconinc.org by Aug. 15, 2015; in Main Menu click on "Hotel Room Reservations"

Total Amount Paid:	
Cash	Check

Please send Registration Form and Check to:

For HAMCON staff use:
Registration received by: _____
Date received & registration #: _____
Amount received: \$ _____

HAMCON Inc.
c/o Margie Hoffman, KG6TBR
21612 Grovepark Dr.
Santa Clarita, CA 91350

Captions to photographs and other illustrations in this month's QRO

Certain software programs that convert the text of PDF files into spoken words reportedly have difficulty converting short stand-alone text items such as photo captions and text boxes. The following combines or explains all short text items in this month's QRO into a larger body of text to facilitate conversion into speech.

Page 1: The photo at the top shows the Pt. Vicente Lighthouse around dusk on a winter day. The two graphics in the upper right corner are the ARRL logo and the PVARC logo.

Page 2: The photo at the lower right corner has the caption, "The PVARC's tower trailer just after sunrise as the over-night mist ebbs during Field Day 2012 at Ridgecrest Intermediate School PHOTO: AI6DF"

Page 4: Two photos at the top have no captions, but show two scenes from our 2014 Holiday Dinner. The photo at the lower right has the caption, "**Above:** Walt Ordway, K1DFO, receives the 2014 W6AM Rhombic Award from PVARC President Diana Feinberg, AI6DF, at the 2014 Holiday Dinner in San Pedro's Ports O'Call Restaurant. PHOTO: RAY DAY, N6HE. A text box at the lower left, says: "Since its 2008 inception the Palos Verdes Amateur Radio Club's W6AM Rhombic Award has been presented to: 2014 – Walt Ordway, K1DFO; 2013 – Bob Closson, W6HIP; 2012 – Dale Hanks, N6NNW; 2011 – Bill Harper, WA6ESC; 2010 – Ginger Clark, KG6TAU; John Freeman, WW6WW; and Karen Freeman, KG6BNN; 2009 – Homer Meek, K6HKT; 2008 – Dan Colburn, W6DC "

Page 5: An illustration at top left is a screen-shot from the Islands On The Air website page that lists the K6PV/6 activation of Catalina Island on February 25, 2015. An illustration at lower right is the logo for the DXOP DXpedition to the Spratly Islands in April 2015.

Page 6: An illustration at top left is the logo for HAMCON 2015 at the Torrance Marriott Hotel during September 11-13, 2015.

Page 8: The photograph at lower right shows a circuit board and has the caption, "Above: Ceramic capacitor C15 is completely burned and inductor L6 badly charred from the heat in NG6R's "free" transceiver. PHOTO: JERRY KENDRICK, NG6R "

Page 9: An illustration at the top of this page is a transceiver schematic diagram for the radio mentioned in the article, showing where the burned-out coil and capacitor are positioned. The photo at bottom right has the caption, "Above: A common nail is used for winding a replacement coil using six turns of 12.5-mil enameled wire salvaged from computer power supplies. PHOTO: JERRY KENDRICK, NG6R "

Page 10: The photo at upper right shows the repaired circuit board and has the caption, "Above: The completed replacement coil and ceramic capacitor are shown on the transceiver board after soldering. PHOTO: JERRY KENDRICK, NG6R ". In the lower part of this page, there is a photo of a microHAM microKEYER II; below that is a photo showing a radio with many wires and has the caption, "Bottom: Ray's "rat's nest" of cables during our 2012 Catalina IOTA DXpedition. PHOTO: DIANA FEINBERG, AI6DF"

Page 11: A table in the center shows the comparative dues of some amateur radio clubs in the Los Angeles area.

Page 12: The entire page is our club's membership form.

Page 13: The photo at middle right shows the abandoned lighthouse on Navassa Island; the caption simply shows the photo credit.

Page 14: The entire page is the club's 2015 activity calendar.

Page 15: The entire page is an announcement for Walt Ordway's next ham radio license classes at Hesse Park on February 21 and 28, 2015. A photo at top left shows a Kenwood 2-meter HT transceiver.

Page 16: The entire page is the registration for the HAMCON 2015 / ARRL 2015 Southwestern Division Convention on September 11-13, 2015.