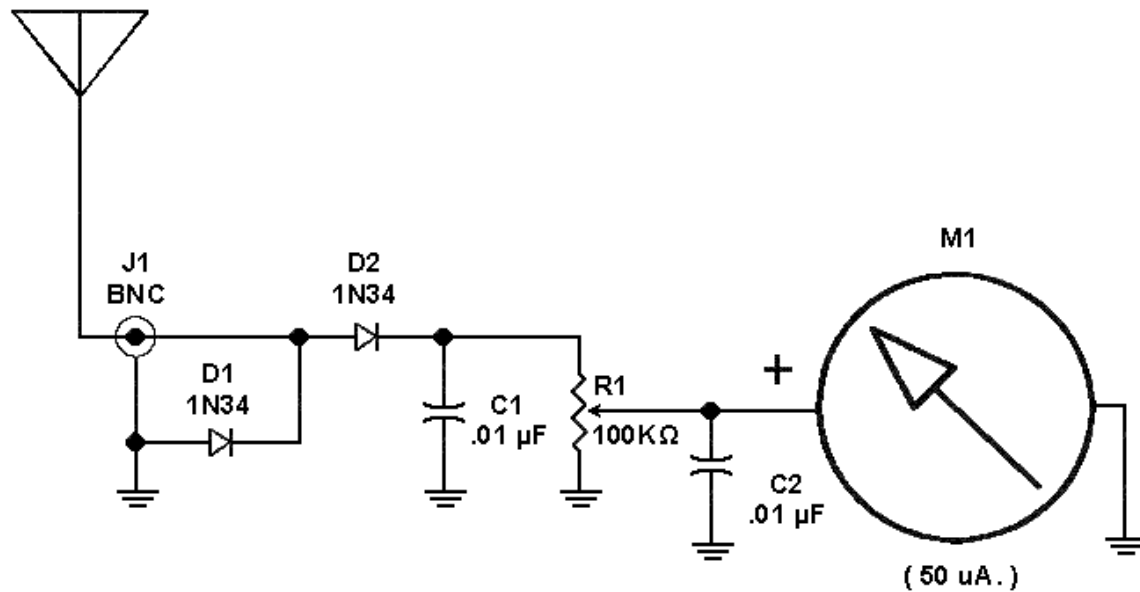


RF - Wide Band Field Strength Meter

DESIGN BY WA6ESC



Notes:

All Capacitors are ceramic .01μF to 1.0μF low voltage types.

All Diodes 1N34 are General Purpose or 1N5165 High Performance wide band types.

Meter (M1) top range is 50 to 500 μA.